
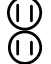
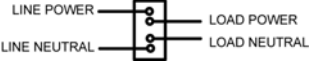




Transformer Disconnects

Options Available for Transformer Disconnects

General Options Available		Add Suffix ⁽⁵⁾
Standard duplex receptacle (with fuseholder only)		D ^{(3) (4)}
Secondary fuses provided		F
GFCI receptacle provided (with fuseholder only)		G ⁽⁴⁾
GFCI breaker to protect entire load		B ⁽¹⁾
European "Shuko" style receptacle 2P, 3W, 250V (with fuseholder only)		M ⁽⁶⁾
Universal receptacle provided (with fuseholder only)		R ⁽⁶⁾
No pilot light (pilot light is provided by default)		N
CE Certified		CE
Additional secondary fuseholder (not available with receptacle, contact sales office)		A ⁽⁵⁾
3 primary fuses provided (2 provided by default)		P

Voltage Options			
Primary Volts	Secondary Volts	Hertz	Add Suffix
240	120	60	240
380	115	50	380
400	115	50	400
415	115	50	415
600	120	60	600
380	220	50	3802 ⁽²⁾
400	220	50	4002 ⁽²⁾
415	220	50	4152 ⁽²⁾
480	240	60	4802 ⁽²⁾
480/380	120	50/60	431
480/380	220	50/60	432 ⁽²⁾

Footnotes

- (1) For outputs greater than 20A, option "A" secondary fuseholder (supplied without fuse) must be added.
- (2) Options "D" and "G" are not available with these voltage combinations: must use options "M" or "R" if receptacle is required.
- (3) Cannot use standard receptacle on NEMA 12 enclosed units, due to potential outside installation; must use GFCI receptacle.
- (4) Options "D" and "G" may not be able to be installed in all units together.
- (5) More than 3 options, and certain combinations ("A" with 600VAC), will require a special part number. Please contact Customer Service to obtain part number for ordering purposes.
- (6) Units using a European "Shuko" or universal receptacle cannot be marked UL.