

POWER SUPPLIES FOR INDUSTRIAL APPLICATIONS
Engineered and Built for Reliability and Performance



GREENSTAR®
Switch Mode Power Supply



POWER YOU CAN RELY ON. ALWAYS.



FEATURES & SPECIFICATIONS

OUTPUT OPTIONS

- Standard 50, 100, and 150kW size power modules
- Up to three independent control zones
- Standard 15, 30 and 60V maximum outputs (Voltage must be selected at time of ordering)
- Higher power available
- For all linear and non-linear resistive loads

UNIVERSAL INPUT POWER

- 380/480V \pm 10%, 3 ϕ , 50/60Hz for worldwide applications, without adjustment or tap-changing
- Will compensate for \pm 10% supply voltage variations and brown-outs
- Input phase currents are balanced under all conditions

SYSTEMS PERFORMANCE

(excluding optional auxiliary power feeds for pumps, motors etc.)

- Power Factor: > 0.92 from 50% - 100% power avoids excessive line currents and eliminates utility surcharges
- THD(V): < 8% under all load conditions for IEEE 519 compliance
- High conversion efficiency (> 92% at full load) reduces energy costs (30V and 60V units)

CONTROL PRECISION

- Set-point accuracy of current, voltage or power better than \pm 0.5% from 10% to 100% power
- Repeatability (returning to a given set-point) < 0.1% of setting from 1% - 100% power
- Very low ripple output (<1% RMS of output voltage) and low (dv/dt) for least process disturbance and interaction

ENVIRONMENTAL & COOLING

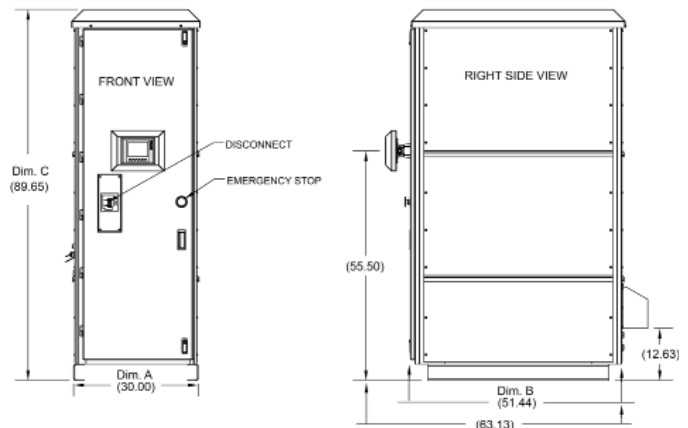
- Max. ambient temperature: 104°F (40°C)
- Max. enclosure temperature at full load: 120°F (49°C)
- Storage temperature: 35°F - 140°F (2°C - 60°C)
- Relative humidity: < 90% non-condensing
- Major components water-cooled

COMMUNICATIONS, DISPLAY & DATA

- Reporting options include current, voltage and true delivered power
- Powerful digital control, system management and health-monitoring functions
- Internal closed-loop control, with external feedback from the process
- Remote diagnostics
- Full suite of communication options available (RS-485, Ethernet (TCP-IP), Profibus/Profinet and Modbus)
- Analog (0-10VDC, 4-20mA) communication included
- HMI touch screen menu:
 - Power, Voltage and Current display
 - Graphical display of Power vs. Time
 - High resolution power regulation display
 - Diagnostics: all alarms and error codes
 - Event and data logging
 - One step calibration mode
 - Adjustable outer PID loop parameters
 - Multiple levels of password protection

DIMENSIONS & RATINGS

Output	Rated Voltage	Rated Current	Dimensions (A x B x C)	Approx. Weight (lbs)
50 kW	15V	3333A	45"W x 51.5"D x 68"H	1,600
	30V	1666A	30"W x 51.5"D x 68"H	1,250
	60V	833A	30"W x 51.5"D x 68"H	1,050
100 kW	15V	6666A	45"W x 51.5"D x 68"H	2,000
	30V	3333A	30"W x 51.5"D x 68"H	1,500
	60V	1666A	30"W x 51.5"D x 68"H	1,300
150 kW	15V	10000A	45"W x 51.5"D x 90"H	3,200
	30V	5000A	30"W x 51.5"D x 90"H	2,200
	60V	2500A	30"W x 51.5"D x 90"H	1,900



Warner Power is committed to providing accurate and timely responses to all your product and application questions. Please contact our Inside Sales & Applications Engineering Group directly at 603-456-4450.

Or visit us online at www.warnerpower.com to Request a Technical Conversation.

Warner Power
40 Depot Street
Warner, NH 03278 USA



www.warnerpower.com

Tel: +1-603-456-4450
Fax: +1-603-456-3754
info@warnerpower.com